



# FILTRINOV

## MX WITH BY-PASS & ELECTROLYSER WITH SALT

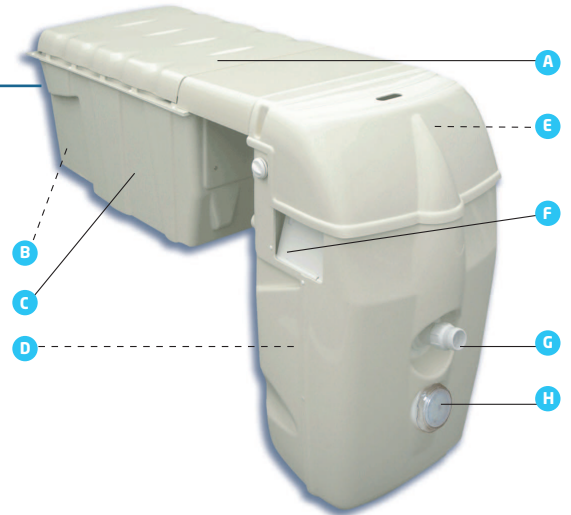
### MX 25 | COE VT



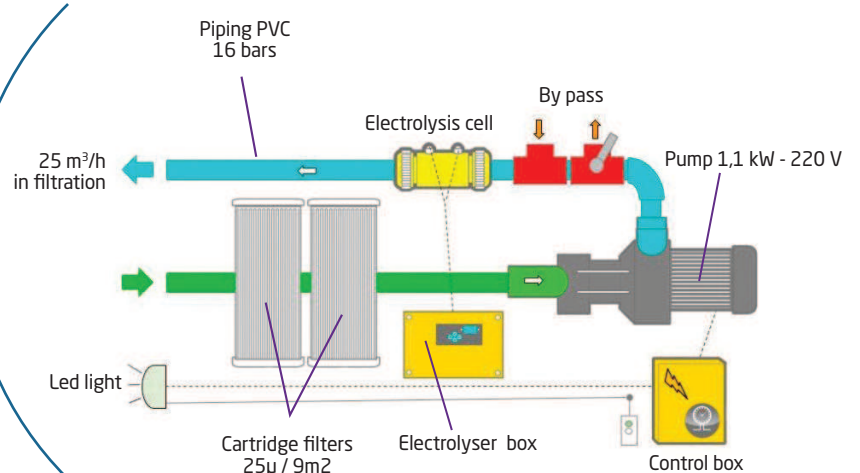
Pools until 110m<sup>3</sup> max.  
length max. : 12m

### Equipment

- A** Removable cover with a mechanical safety (lock)
- B** Control box for filtration (automatic or manual) and lighting
- C** Buried part containing :
  - Filtration pump (25 m<sup>3</sup>/h)
  - **By pass system** in order to derivate the water flow until a heat pump for example.
  - **Salt electrolysis**, composed of a polarity reversal cell and a electronic box in order to make automatic treatment.
- D** Double filtration cartridges + basket collecting leaves
- E** Balneotherapy (Air flow rate adjustment for massage functions)
- F** Skimmers, two openings for water suction
- G** Directional heavy flow rate
- H** LED light + remote control > Color in option



### General diagramm of MX COE VT



### Side plan of MX

