



FILTRINOV

MX WITH SWIM COUNTER-CURRENT & ELECTROLYSER WITH SALT

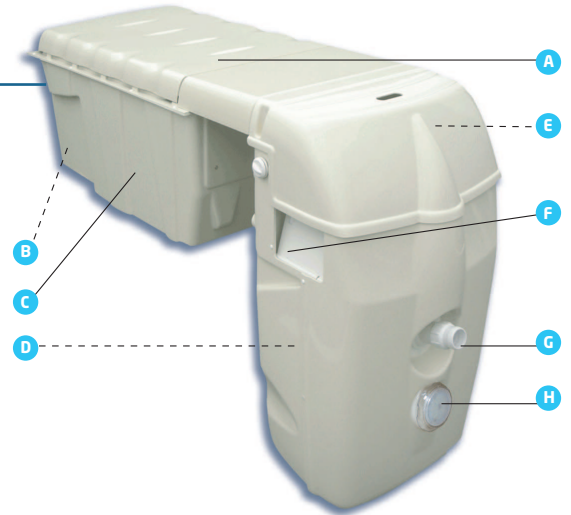
MX 25 | CNE



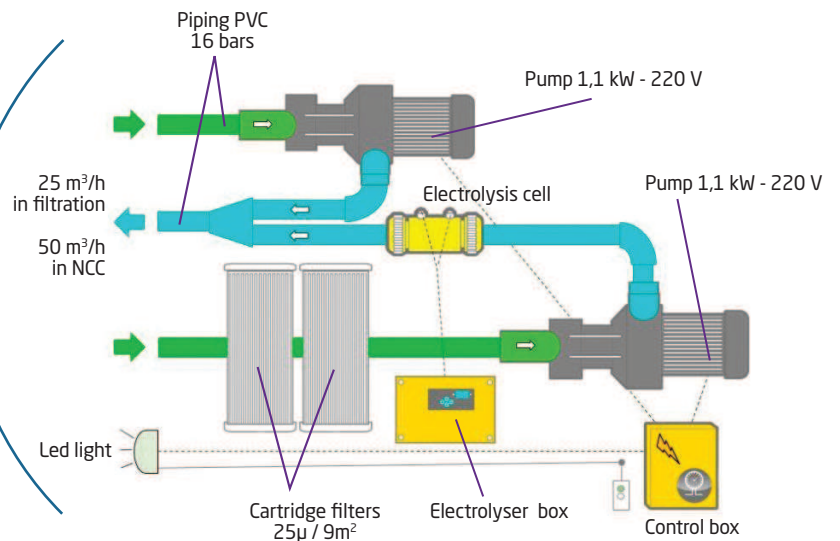
Pools until 110m³ max.
length max. : 12m

Equipment

- A** Removable cover with a mechanical safety (lock)
- B** Control box for filtration (automatic or manual) and lighting
- C** Buried part containing :
 - Filtration pump (25 m³/h)
 - Salt electrolysis, composed of a polarity reversal cell and a electronic box in order to make automatic treatment.
 - Swim counter-current done by a 2nd pump, similar than the filtration one, the both are activate by a pneumatic switch.
- D** Double filtration cartridges + basket collecting leaves
- E** Balneotherapy (Air flow rate adjustment for massage functions)
- F** Skimmers, two openings for water suction
- G** Directional heavy flow rate
- H** LED light + remote control > Color in option



General diagramm of MX CNE



Side plan of MX

