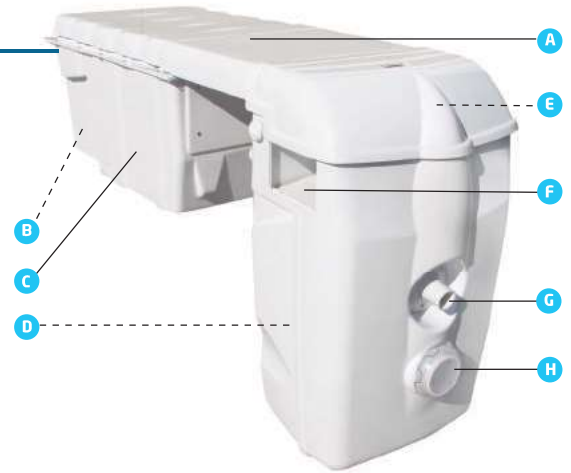




Pools up to 80m<sup>3</sup> max.  
Max. length : 9m

### Equipment

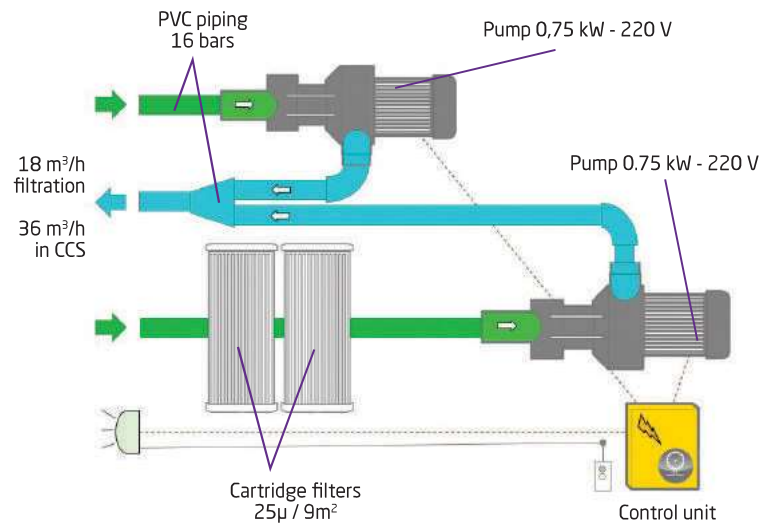
- A** Removable lid with mechanical lock
- B** Filtration (auto and manual) and lighting controls.
- C** In-ground-section containing :
  - Filter pump (18 m<sup>3</sup>/h)
  - **Counter-current system** driven by a second pump, separate from the filtration, and operated by a pneumatic switch.
- D** Two removable filter cartridges with leaf baskets
- E** Balneotherapy (air control dial)
- F** Skimmers, two water suction inlets
- G** Multi-directional, high-volume return nozzle
- H** White LED spotlight + Remote control > Colour optional



#### INTEGRABLE OPTIONS :

- By-Pass
- Salt chlorinator
- PH controller

### Schematic diagram



### MX Dimensions

