



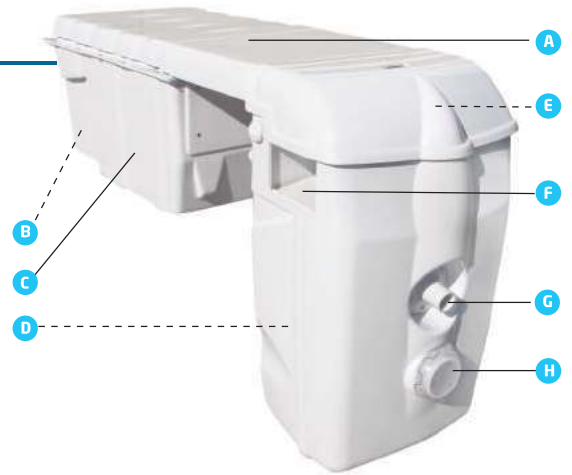
Pools up to 110m³ max.
Max. length : 12m

Equipment

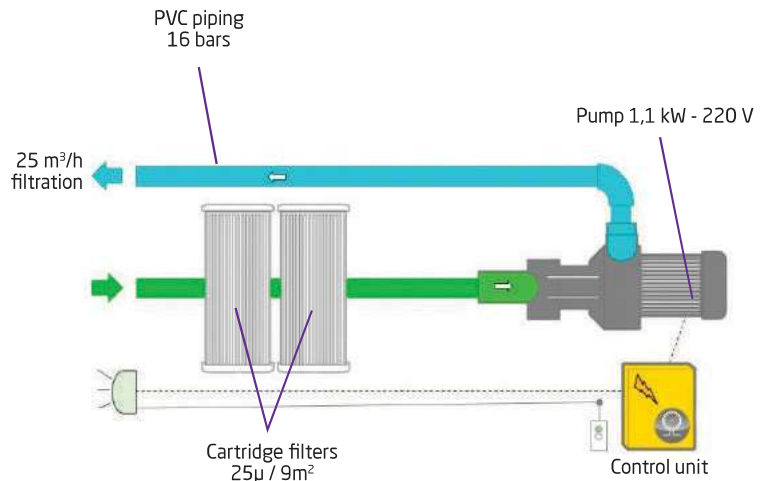
- A** Removable lid with mechanical lock
- B** Filtration (auto and manual) and lighting controls.
- C** In-ground-section containing :
 - Filter pump (25 m³/h)
- D** Two removable filter cartridges with leaf baskets
- E** Balneotherapy (air control dial)
- F** Skimmers, two water suction inlets
- G** Multi-directional, high-volume return nozzle
- H** White LED spotlight + Remote control > Colour optional

INTEGRABLE OPTIONS :

- By-Pass
- Counter-current system
- Salt chlorinator
- PH controller



Schematic diagram



MX Dimensions

